

Stock Code: **50011LEDD-WH/CLR**

Collection: Transformer

PRODUCT INFORMATION

Base: 50011 Parent: 50011LEDD
Mounting Type: Ceiling UPC: 641594229196
Finish: White
Diffuser: Clear

PRODUCT MEASUREMENTS

FIXTURE	BACKPLATE / CANOPY
Length: 3"	Length 4.5"
Width: 3"	Width: 4.5"
Diameter	Diameter:
Height: 8.25"	Height: 0.5"
Extension:	
Overall Height:	

TECHNICAL SPECIFICATIONS

SPECIFICATIONS

Frame Material: Aluminum
Diffuser Material: Glass
Lamping Type: SSL (Dedicated LED) Jbox: Pancake
Lamping Base: SSL Lamp Wattage: 11 W
Lamp Quantity: 1 Total Wattage: 11 W
Voltage: 120v Lamps Included: Yes

QUALIFICATIONS

Location Rating Damp
Certification: UL (US/Canada) Listed
ADA Compliant: No Energy Star: No
JA8 Compliant: No Emergency Lighting: No
Marine Grade: No Warranty: 5 Year

PHOTOMETRICS

Dimmable: Yes Nominal Lumens 1200 Lm
CRI: 90 Delivered Lumens: 985 Lm
CCT: 3000K
Recommended Dimmers:
(ELV)LEVITON Illumatech SLIDE IPE04-1LZ; (ELV)LUTRON
Skylark SELV-300P; (ELV)LUTRON Diva DVELV-300P

Additional Notes:

Custom Finish 100 Piece Minimum Order Quantity; Optional Color
Temperature 100 Piece Minimum Order Quantity

Project Name: _____

Location: _____

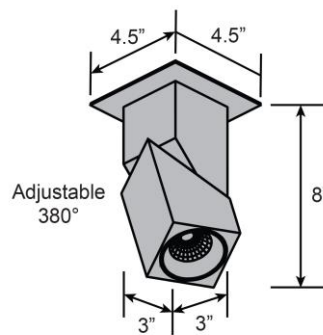
Type: _____

Quantity: _____

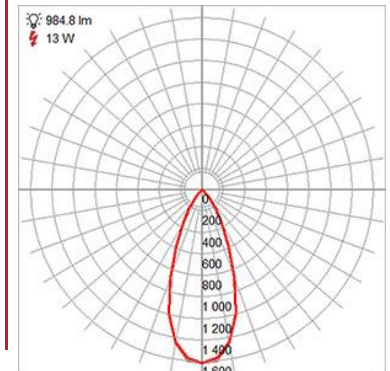
Notes: _____



LINE DRAWING



IES FILE



In addition to Access Lighting's purchase and warranty terms and conditions, by signing below or placing an order, you agree that you are authorized to bind the entity placing any order and acknowledge the following: All of sizes and measurements are approximate and all images are for illustrative purposes only. In the event of an inconsistency, the "Product Measurements" section controls. There also may be slight differences in the colors and designs compared to the displayed and printed images.

Signature: _____

Print Name _____ Date: _____

Toll Free 800-828-5483 www.AccessLighting.com

14410 Myford Road, Irvine, CA 92606

The information is subject to change without notice. 11/8/2022 50011LEDD-WH_CLR.pdf

